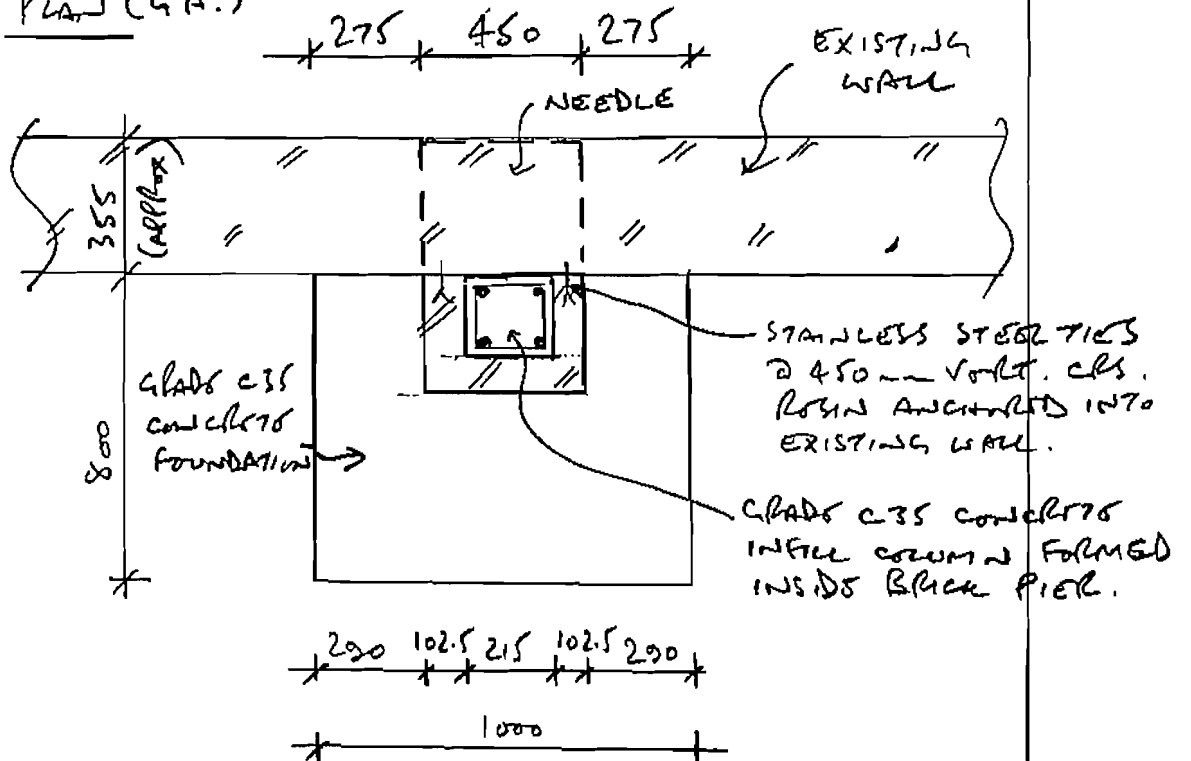
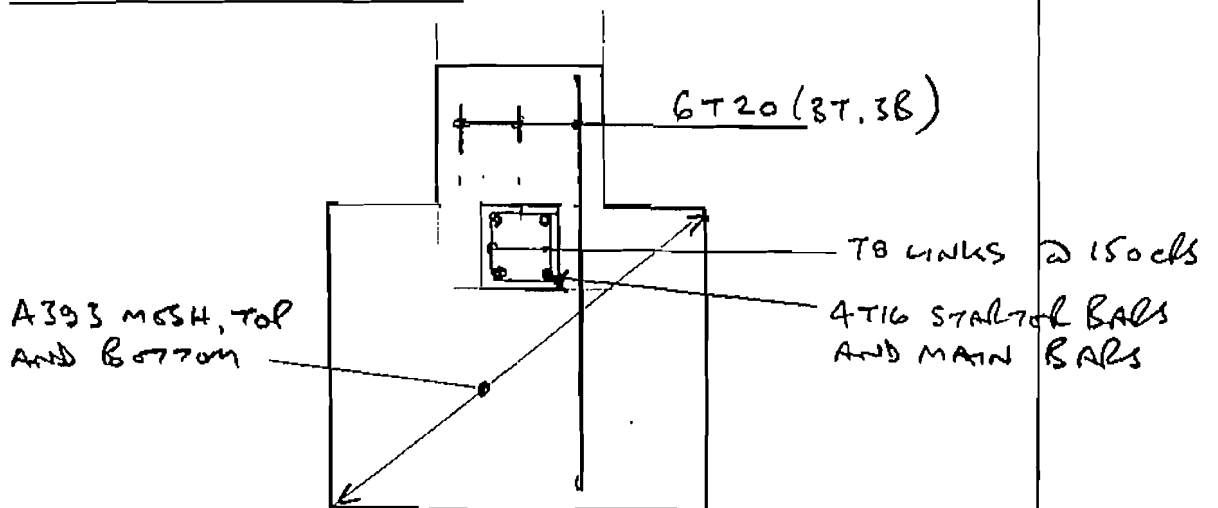


TYPICAL PIER DETAILS

PLAN (G.A.)



PLAN (REINFORCEMENT)



Job Title  
 HALIFAX PLACE

Checked

Date

Calculations Title  
 RETAINING WALL

Revised

Date

CROSS SECTION

